



Langlade®

Right-bowl sink rack
K-5180

Features

- Fits in the right bowl of the K-6626 Langlade Smart Divide® kitchen sink.
- Helps protect sink surface from daily wear.
- Innovative wheels around the perimeter provide a secure fit and reduce debris buildup.
- Dishwasher-safe.

Material

- Durable stainless steel construction.

Recommended Products/Accessories

K-23729 Stainless steel cleaner



Codes/Standards

None Applicable

KOHLER® One-Year Limited Warranty

See website for detailed warranty information.

Available Colors/Finishes

Color tiles intended for reference only.

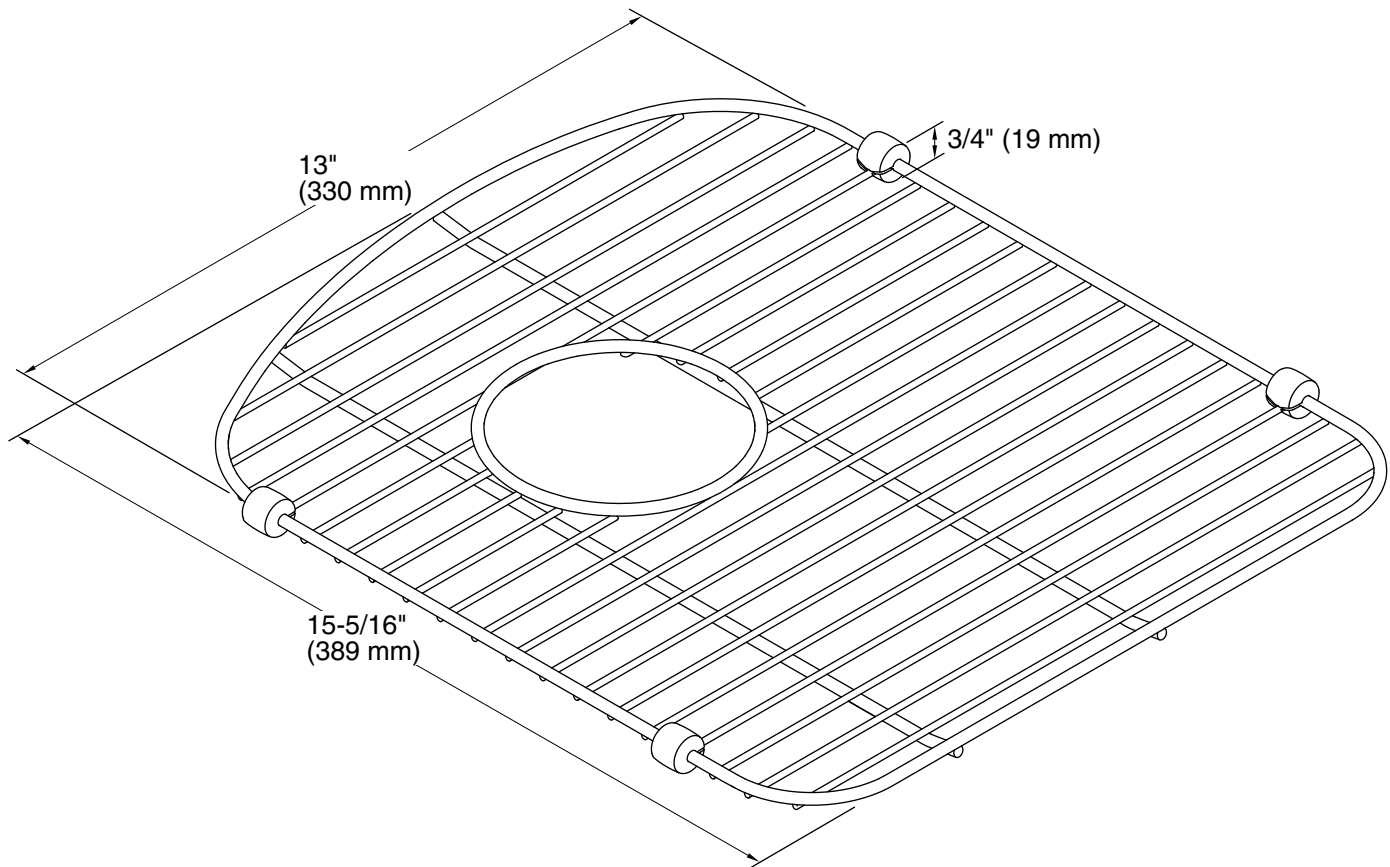
Color	Code	Description
-------	------	-------------



ST	Stainless Steel
----	-----------------

KOHLER®

Langlade®
Right-bowl sink rack
K-5180



Technical Information

All product dimensions are nominal.

Material: Stainless Steel

1-800-4KOHLER (1-800-456-4537)

Kohler Co. reserves the right to make revisions without notice to product specifications.

For the most current Specification Sheet, go to www.kohler.com.

5-29-2021 19:41 - US/CA

THE BOLD LOOK
OF **KOHLER®**